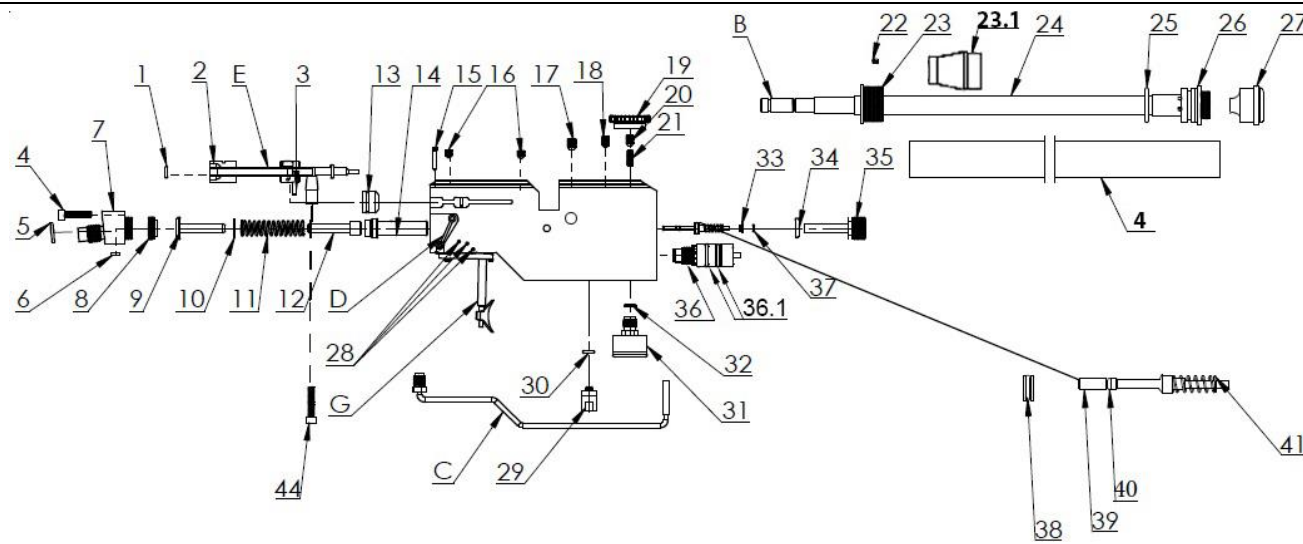


Model	Other model names	Date	Revision	Revision date
FX Gladiator MkII		2020-06-02	EN.20.01	2020-08-19

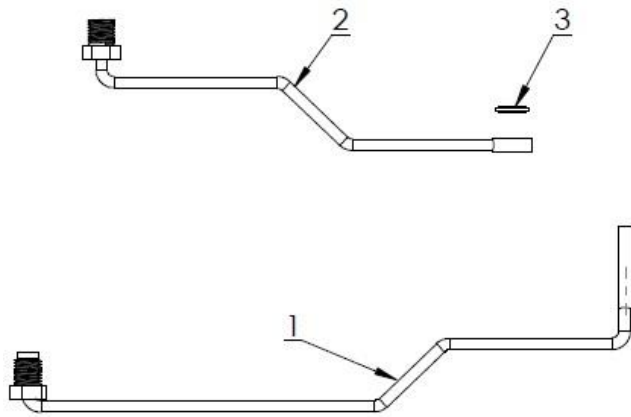


A

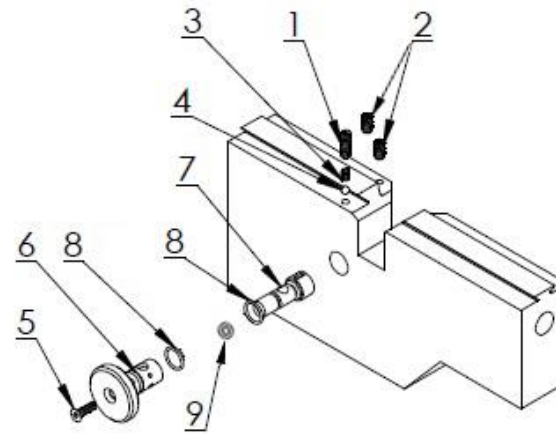


Model	Other model names	Date	Revision	Revision date
FX Gladiator MkII		2020-06-02	EN.20.01	2020-08-19

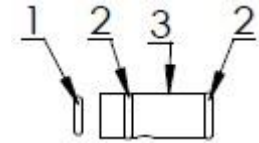
C



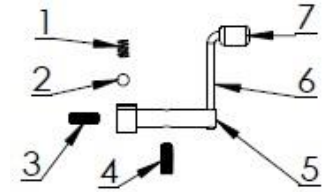
H



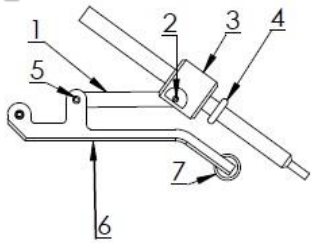
B



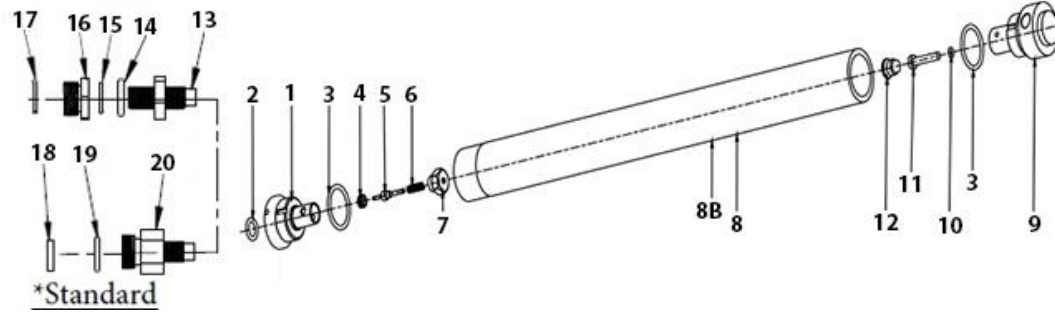
D



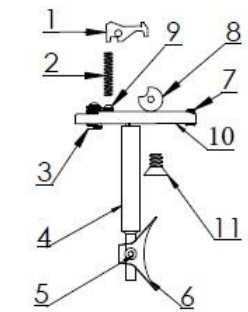
E



F *Regulator



G



Model	Other model names	Date	Revision	Revision date
FX Gladiator MkII		2020-06-02	EN.20.01	2020-08-19

NO	ART. NO	DESCRIPTION	NO	ART. NO	DESCRIPTION	NO	ART. NO	DESCRIPTION
1	14023	Bottle Cover/ Recoilpad	A32	5005	Plastic Washer 2mm 1/8"	F1	11035	Air Cylinder End (Brass)
2	0315	Bottle 500cc complete	A33	19038	Spring seat v7	F2	5105	O-ring 9,3 x 2,4 NBR90
3	14025	Pistol grip Soft Touch VII	A34	5105	O-ring 9,3x2,4 NBR90	F3	11624	O-ring 22 x 2,5 NBR 70
4	19142	Shroud 447mm Extreme	A35	19009	Guide M16	F4	7044	Valve Seat Complete
4	18025	Tube Outer V6- Monsoon	A36 – Ext	19043	Regulator Mounted	F5	7018	Valve Pin Air Tube Complete
A1	5112	O-ring 5,28x1,78 NBR70	A36.1	5109	O-ring 11,6 x 2,4 NBR 70 (already included in regulator mounted)	F6	2525	Spring 0,6x4x15
A2	19029	Rear pellet probe guide	A37	5111	O-ring 2,5x1,5 NBR90	F7	11013	Valve Pin Nut
A3	11509	Cylindrical pin 3h6x10	A38	7044	Valve seat Complete	F8	11024	N/A
A4	5205	Socket head cap screw M4x20	A38 – shp	19060	Valve seat SHP Complete	F8B	11535	N/A
A5	1511	Washer rubber/steel 1/8"	A39	7015	Valvepin V7 complete	F8	16017	390mm Air cylinder
A6	14015	Plastic Washer 6,8x2 Coppertubing	A39-shp	7019	Valvepin SHP complete	F9	11029	Air Cylinder End Inlet
A7	14008	Air bottle connector	A40	2528	O-ring 1,5x1 NBR70	F10	5107	O-ring 2,9 x 1,78 PUR 90
A8	11541	Hammer spring adjuster	A41	2525	Spring 0,6x4x15	F11	11615	High Performance Inlet Valve
A9	11030	Hammerspring adjuster	A42	N/A		F12	19035	Plug 1/8"
A10	5206	Washer 8x14x0,25	A43	N/A		F13	14005	Air cylinder connector
A11	11500	Hammer spring	A44	11060	Socket head cap screw M3x18	F14	17047	O-ring 11,91x2,62 NBR70
A12	11540	Hammer weight	B1 – 4.5	2529	O-ring 4,3x1,5 NBR70	F15	12045	O-ring 13,95x2,62 NBR70
A13 – 4.5	19013	Black plastic bushing 4,5	B1 – 5.5	5108	O-ring 5,28 x 1,78 PUR70	F16	19158	Adaptor M20-M12 VII Regulator
A13 – 5.5	19012	Black plastic bushing 5,5	B1 – 6.35	4526	O-ring 6,4x1,3 NBR 70	F17	19088	O-ring 15,88x2,62 NBR90
A13 – 6.35	19101	Black plastic bushing 6,35	B2	5112	O-ring 5,28 x 1,78 NBR 70	F18	19036	Plastic Washer 18,9x15x3 Tube Receiver
A14	19039	Hammer v7	B3 – 4.5	2057	Barrel brass inlet .177	F19	19088	O-ring 15,88x2,62 NBR90
A15	19034	Grub screw M3 - Special	B3 – 5.5	2056	Barrel Inlet .22	F20	19056	Connector 1/8" MkII
A16	2534	Conical grub screw M5x6	B3 – 6.35	19104	Barrel inlet .25	G1	19177	Trigger Sear v7.8.12
A17	19086	Conical grub screw M6x8	C1	19164	Copperpipe MkII Regulator	G2	11504-2	Spring 0,4x2,5x15 Jp
A18	2503	Cup point grub screw M5x8	C2	19135	Rubber Steel Washer	G3	11062	Adj screw second stage, soft
A19 – Ext	19143	Knob for barrel change	C3	19163	Copperpipe MkII	G4	19151	Trigger shoe mount long
A20	11201	Cup point grub screw M5x4	D1	11503	Spring 0,5x2,5x4,4	G5	12035	Grubscrew M2,5x2,5
A21 – Ext	16041	Grubscrew M5x14	D2	11527	Steelball 3,175	G6	19136	Adjustable trigger blade
A22	2534	Conical grub screw M5x6	D3	11633	Grubscrew M2,5x8	G7	2500	Grubscrew 3x6
A23 -.177, .22	19103	Shroud mount rear	D4	11508	Grub screw M3x10	G8	11525	Trigger wheel
A23.1 - .25	19130	Shroud cone 14mm	D5	11027	Safety pivot	G9	2500	Grubscrew M3x6
A24 – 4.5	12030	Barrel 4,5-14-485	D6	11625	Safety lever 27,5mm Cyclone, Cutlas, Rancho.	G10	11524	Trigger Base
A24 – 5.5	12006	Barrel 5,5 485mm	D7	11200	Safety knob	G11	2504	Countersunk M3x6
A24 – 6.35	19106	Barrel 6,35-14-600	E1	19021	Side lever linkage	H1	2502	Grub screw M4x12
A25	19098	O-ring 18,0x4,0 NBR 70	E2	19042	CPK 2m6x8	H2	12033	Conical grub screw M4x8
A26	19028	Shroud compensator 4,5-5,5	E3 – 4.5	19011	Pellet probe 4,5	H3	11501	Spring 0,5x2,5x6,1
A26	19065	Shroud compensator 6,35	E3 – 5.5	19010	Pelletprobe 5,5	H4	4066	Steelball 3mm
A27 .177	17023	Muzzle .177	E3 – 6.35	19192	Pellet probe 6,35 v 7,8	H5	2508	Countersunk screw M3x10
A27 .22	17000	Muzzle .22	E4 – 4.5	19171	O-ring 4x2 NBR70	H6	16083	Outer Speed knob v7
A27 .25	19112	Muzzle .25	E4 – 5.5	19332	O-ring 5x2 NBR70	H7	16082	Inner axel 4,5mm for power wheel
A28	19040	Cylindrical pin 2m6x23,5	E4 – 6.35	19228	O-ring 6x2 NBR 70	H8	19108	O-ring 8x1 NBR90
A29	19121	Stock attachment	E5	19026	Cylindrical pin 2,5m6x6	H9	19109	O-ring 4x1,5 NBR70
A30	5112	O-ring 5,28x1,78 NBR70	E6	19020	Sidelever v7			
A31	11505	Pressure gauge 25mm 1/8"	E7	19037	Side lever Handle v7			