

HW 44



WEIHRAUCH SPORT

Sportluftpistole
Sporting air pistol

D-97638 Mellrichstadt
Industriestraße 13

D-97634 Mellrichstadt
Postfach 20

Telefon
(09776) 8122-0

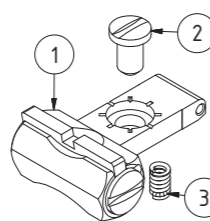
Telefax
(09776) 8122-81

e-mail: info@weihrauch-sport.de
Internet: www.weihrauch-sport.de

HURRICANE
FOR LUFTVAPEMENTUSIASTEN

| Positions-Nr. Positions No. | Bestell-Nr. Order No. | Preisgruppe Price group | Bezeichnung Article |
|--------------------------------|--------------------------|----------------------------|--|
| 1 | 6.3059 | M 05 | Griffstück grip |
| 2 | 6.3060 | A 09 | Stift pin |
| 3 | 6.2446 | L 03 | Halteschraube screw |
| 4 | 7.2939.H1 | M 10 | Transporteinheit komplett hinge complete |
| 5 | 7.3053 | L 03 | Systembefestigungsplatte fixing plate |
| 6 | 6.2944 | E 02 | Systemschraube screw |
| 7 | 6.2905 | B 08 | O-Ring o-ring |
| 8 | 6.0854 | A 09 | Senkschraube screw |
| 9 | 6.2901s | A 09 | Zylinderschraube screw |
| 10 | 7.2924.U* | N 15 | Hammer komplett hammer complete |
| 11 | 6.2911 | E 03 | Entsperrschieber(Magazin) unlocking slide |
| 12 | 7.2922a | C 03 | Zugblech(unten) plate (bottom) |
| 13 | 6.2908 | C 01 | Schenkelfeder spring |
| 14 | 7.2941 | E 03 | Gehäuseklammer clamp |
| 15 | 7.2912.U2* | H 01 | Spannhebel links cocking lever left |
| 16 | 6.2912b | A 09 | Senkkopfschraube screw |
| 17 | 7.2914 | C 04 | Spannblech cocking plate |
| 18 | 7.2917 | C 05 | Stift für Ladedorn pin for loading bolt |
| 19 | 7.2916* | M 05 | Ladedorn loading bolt |
| 20 | 7.2915 | C 06 | Spannhebelbuchse cocking lever bushing |
| 21 | 7.2922 | C 03 | Zugblech(oben) plate (top) |
| 22 | 6.2913 | C 05 | Scharnierstift pin |
| 23 | 7.2906 | F 02 | Magazinhebel magazin lever |
| 24 | 7.2907 | C 05 | Entriegelungsblech unlocking plate |
| 25 | 6.2945a | G 03 | Visiersockel rear sight base |
| 26 | 6.2923 | C 05 | Gewindebuchse bushing |
| 27 | 6.1478 | A 09 | Stift pin |
| 28 | 6.2659* | B 08 | O-Ring o-ring |
| 29 | 7.2901* | F 01 | Zuführungsbuchse bushing |
| 30 | 6.2979 | B 08 | O-Ring o-ring |
| 31 | 6.3079 | D 04 | Laufanschlagschraube barrel screw |
| 32 | 7.3078* | L 20 | Lauf barrel |
| 33 | 7.2902a.H1 | L 03 | Magazin komplett Kal. 5,5 mm magazin complete cal. 5,5 mm |
| 33 | 7.2902b.H1 | L 03 | Magazin komplett Kal. 4,5 mm magazin complete cal. 4,5 mm |
| 33.1 | 6.2903a | B 08 | O-Ring Kal. 5,5 mm (2 x benötigt) o-ring cal. 5,5 mm (2 x needed) |
| 33.1 | 6.2903b | B 08 | O-Ring Kal. 4,5 mm o-ring cal. 4,5 mm |
| 34 | 7.2982.H1 | K 03 | Laufmantel komplett barrel sleeve complete |
| 34.1 | 6.2982 | E 01 | Laufmantel barrel sleeve |

Mikrometervisier / open rear sight

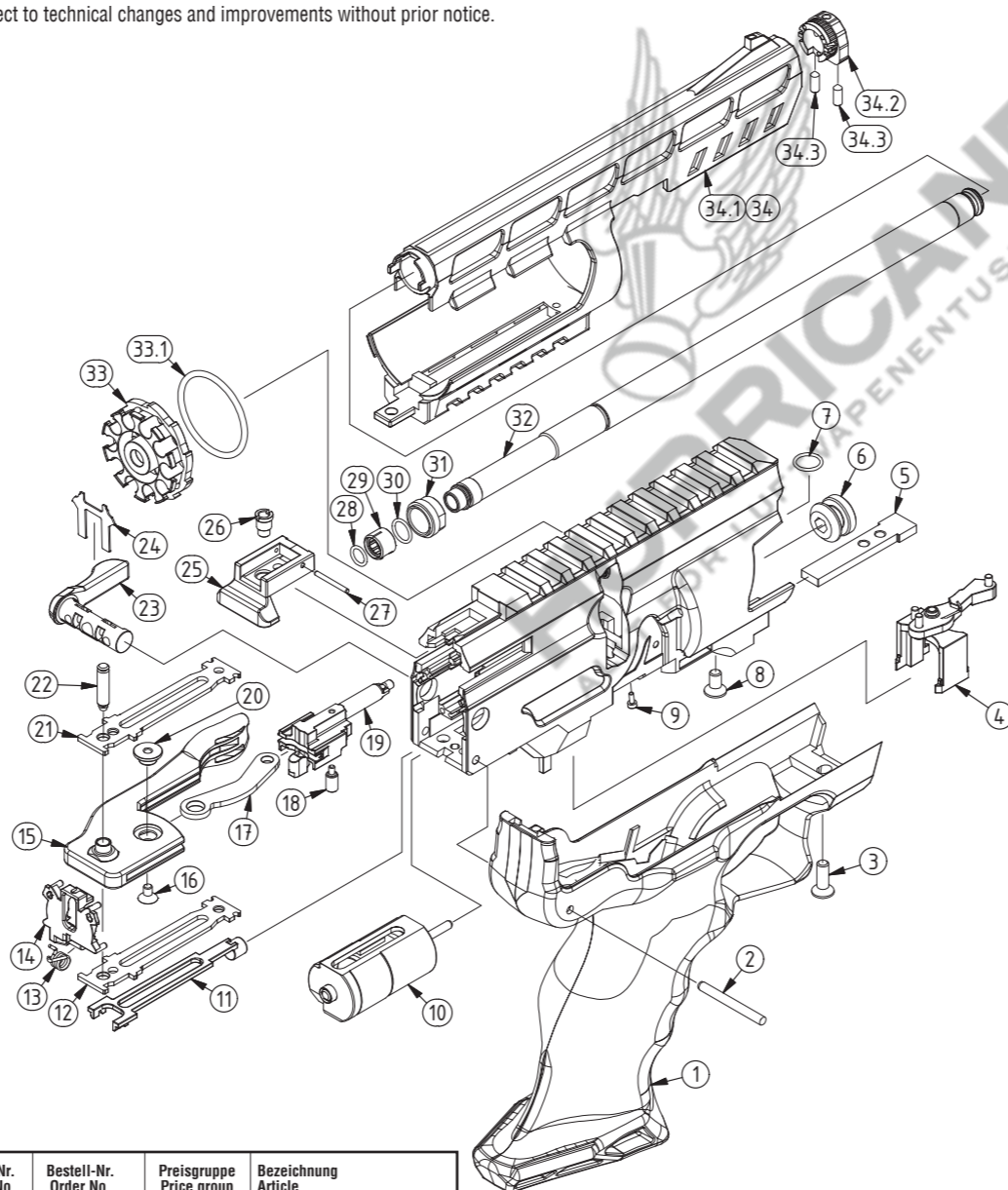


| Positions-Nr. Positions No. | Bestell-Nr. Order No. | Preisgruppe Price group | Bezeichnung Article |
|--------------------------------|--------------------------|----------------------------|---|
| 1 | 7.0601.U1 | M 05 | Mikrometervisier micrometer rear sight |
| 2 | 6.0602 | B 01 | Höhenstellschraube elevation adjustment screw |
| 3 | 6.1476 | A 08 | Feder für Höhenverstellung elevation adjustment spring |

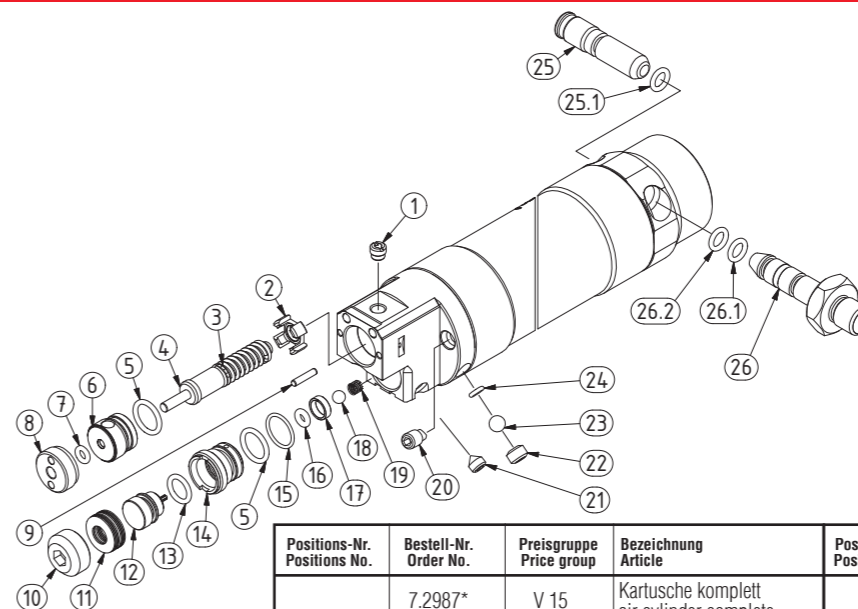
* **Wichtig!** Bitte immer angeben
Kaliber, Energiestufe, Links-/Rechtshänder und Seriennummer

* **Important!** Please always state
caliber, power level, RH/LH and serial number

Technische Änderungen und Verbesserungen vorbehalten.
Subject to technical changes and improvements without prior notice.



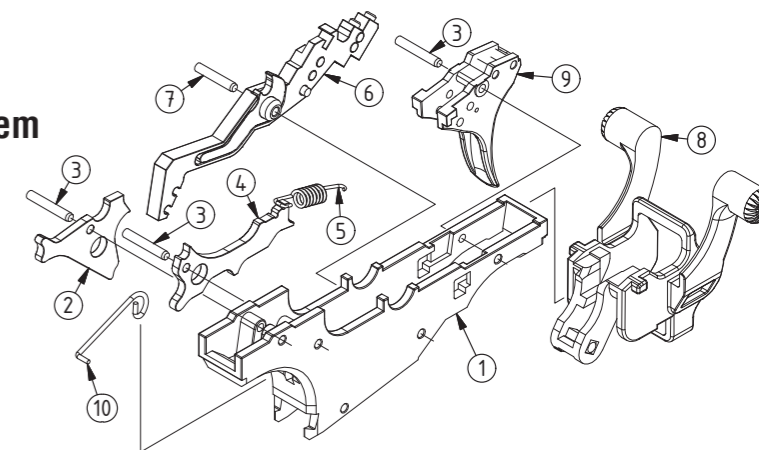
| Positions-Nr. Positions No. | Bestell-Nr. Order No. | Preisgruppe Price group | Bezeichnung Article |
|--------------------------------|--------------------------|----------------------------|---|
| 34.2 | 6.2982 | E 01 | Gewindestift (2 x benötigt) screw (2 x needed) |
| 34.3 | 6.2982e | A 09 | Gewindestift (2 x benötigt) screw (2 x needed) |



Kartusche / air cylinder

| Positions-Nr. Positions No. | Bestell-Nr. Order No. | Preisgruppe Price group | Bezeichnung Article | Positions-Nr. Positions No. | Bestell-Nr. Order No. | Preisgruppe Price group | Bezeichnung Article |
|--------------------------------|--------------------------|----------------------------|--|--------------------------------|--------------------------|----------------------------|---|
| | 7.2987* | V 15 | Kartusche komplett air cylinder complete | 15 | 6.2974b | B 08 | O-Ring o-ring |
| 1 | 6.2955* | C 06 | Ventilgewindebuchse valve stem bushing | 16 | 6.2661 | B 08 | O-Ring o-ring |
| 2 | 6.2957 | F 03 | Federlager spring seat | 17 | 6.2965 | A 15 | Zentrier링 center ring |
| 3 | 6.0706 | A 15 | Druckfeder spring valve | 18 | 6.2662 | A 09 | Kugel ball |
| 4 | 7.2955a.U1 | F 06 | Ventil komplett valve complete | 19 | 6.2152 | A 14 | Druckfeder spring |
| 5 | 6.2974a | B 08 | O-Ring o-ring | 20 | 7.3011 | B 08 | Gewindestift screw |
| 6 | 6.2951 | F 03 | Ventilbuchse valve bushing | 21 | 6.2972 | A 09 | Gewindestift screw |
| 7 | 6.2955d | B 08 | O-Ring o-ring | 22 | 6.2676 | A 09 | Gewindestift screw |
| 8 | 6.2951a | F 03 | Ventilschraube valve screw | 23 | 6.2675 | A 09 | Kugel für Ventilblock ball for valve housing |
| 9 | 6.0784 | A 10 | Stift pin | 24 | 6.2977 | B 08 | O-Ring o-ring |
| 10 | 7.2670a.U1 | C 03 | Druckregelschraube screw | 25 | 7.2709.U1 | E 04 | Schutzdorn blanking plug |
| 11 | 6.2669 | C 06 | Tellerfeder, einzeln disc spring, single | 25.1 | 6.2618a | B 08 | O-Ring o-ring |
| 12 | 6.2967 | F 01 | Druckregelkolben pressure regulation piston | 26 | 7.2708.U1 | F 06 | Schnellfülladapter komplett quickfill adapter complete |
| 13 | 6.2666 | B 08 | O-Ring o-ring | 26.1 | 6.2710 | B 08 | O-Ring o-ring |
| 14 | 6.2974 | F 03 | Kolbenbuchse bushing | 26.2 | 6.2618a | B 08 | O-Ring o-ring |

Abzug / trigger system



| Positions-Nr. Positions No. | Bestell-Nr. Order No. | Preisgruppe Price group | Bezeichnung Article | Positions-Nr. Positions No. | Bestell-Nr. Order No. | Preisgruppe Price group | Bezeichnung Article |
|--------------------------------|--------------------------|----------------------------|---|--------------------------------|--------------------------|----------------------------|---------------------------------|
| | 7.3012a.H2 | P 15 | Abzug komplett trigger system complete | 6 | 7.3026.U2 | G 03 | Wippe komplett sear complete |
| 1 | 7.3012a | M 20 | Abzugskasten trigger housing | 7 | 6.3042b | A 10 | Stift pin |
| 2 | 7.3013 | D 03 | Klinke sear | 8 | 7.3042.U1 | E 03 | Sicherungshebel safety lever |
| 3 | 6.0310 | A 10 | Stift pin | 9 | 7.3035.U2 | D 04 | Abzugszüngel trigger |
| 4 | 7.3015 | D 03 | Kreuzstück sear | 10 | 6.3042f | B 01 | Sicherungshebelfeder spring |
| 5 | 6.3027 | C 01 | Zugfeder für Wippe spring | | | | |