

FXairguns
MADE IN SWEDEN



FX WILDCAT MKIII OWNER'S MANUAL

Warnings

- Never attempt to disassemble this rifle!
- Never fire the rifle when it is empty of air or when air cylinder is removed!
- Never point the rifle at anyone, or allow anyone to point a rifle at you!
- Treat every rifle as if it is loaded even if you know it is not loaded!
- Always carry the rifle so that the direction of the muzzle is under control, even if you stumble.
- Always be sure of your target and what lies behind it before firing your rifle.
- Never leave a loaded rifle unattended.
- Beware of targets that tend to cause ricochets.
- It is recommended that eye protection is worn.
- Always use caution when operating this rifle.
- Learn and obey the laws in your location.
- Be responsible in your use of this rifle!
- Never fill the rifle with anything else other than regular air!
- Never fire the rifle below set regulator pressure.
- You are obliged to inspect carbon-fiber air tanks according to the instructions on the tank.

Failure to obey these instructions could result in personal injury or damage to the gun!

Warranty Information

All FX Airguns carry a ThreeYear Warranty against faulty workmanship and defective materials. If it becomes necessary, first contact the dealer from which you purchased the gun. If the rifle is determined to have a defect within the warranty period, contact the warranty center to arrange service. The warranty guarantee does not cover any damage caused by tampering with the rifle or abuse. This rifle should only be disassembled by factory-authorized repairmen.

Cleaning

- Keep the rifle clean and wipe it off with regular gun-oil and a cloth occasionally.
- We recommend that you use cleaning pellets occasionally.
- These you can use without the risk of damaging the barrel.

WARNING: *Never use chemicals or water to clean the rifle.*

Storage

- Store dry and dark if possible.
- Preferable stored pressurized.

WARNING:

- *High humidity might cause corrosion if not treated correctly.*
- *Keep away from sunlight as this might damage o-rings and anodizing.*
- *Never store the rifle loaded with pellets.*



Safety Operations

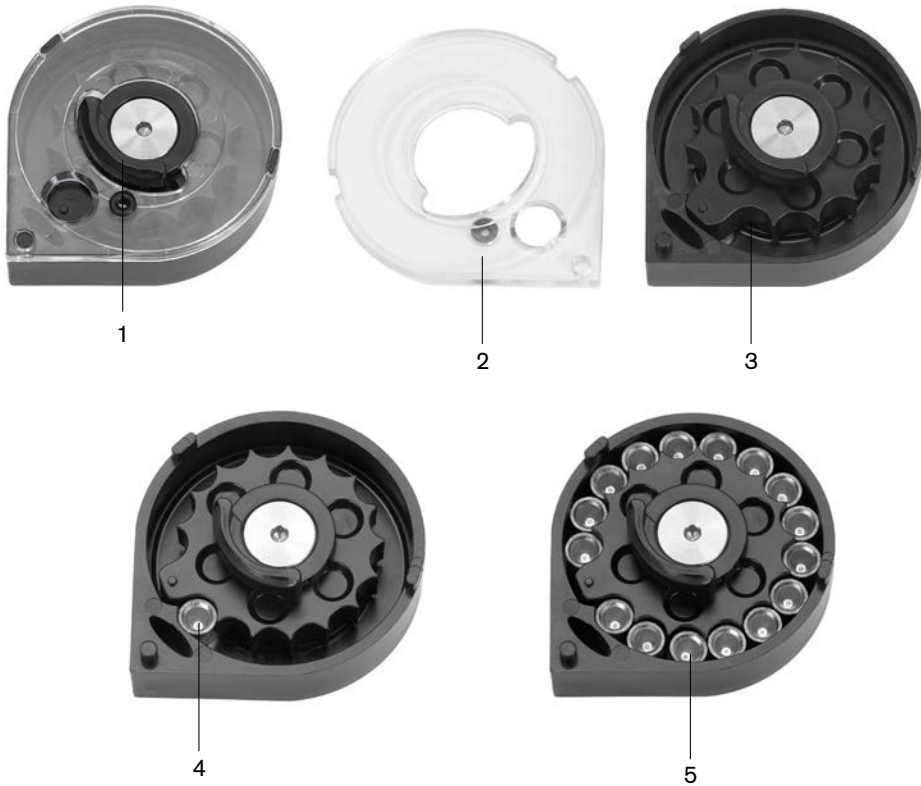
The safety is easy to use and is located on the right side of the action.

Note: *Only use the safety when the rifle is cocked!*

Notes for you own settings

Tip: Make note of the factory setting before you start tuning the rifle.

Caliber				
Regulator Pressure				
Power tuning adjuster				
Energy				
Velocity				
Pellet Weight				
Pellet Type				
Distance				
Remarks				



How to load the magazine

To load the Side-Shot magazine, start by rotating the center lid-lock (1) until you are able to remove the lid (2). Twist the inner pellet tray (3) counterclockwise until you hit the stop. Put a pellet into the first position (4) head first while holding your finger under the hole to stop it, release the pellet tray as the pellet you inserted will hold the magazine in place. Continue placing the rest of the pellets HEAD FIRST, make certain all the pellets fall in correctly into its slot (5). Once the magazine has been filled, put the lid back into position and twist the lid-lock until it is the opposite position of the cutout. Our guns are tested and tuned in the factory for best performance and accuracy with JSB pellets.

Charging the rifle

A quick connector is supplied with the rifle and is threaded with a 1/8" thread. Make sure that the thread is the same at the charging source before you attach it.



Fillprobe Type MkI

Insert the fill probe into the rifle filler hole located at the end of the air tube.



Quick Connector MkII

Push the connector over the male connector.



Close ventilation screw on the charging source. Charge the rifle to wanted pressure without exceeding maximum pressure limit of air reservoir or main block.

Max overall pressure in system: See engraving of main block.

Max air reservoir pressure: See markings on air reservoir.

Always check the pressure on the charging source, they have in most cases a more reliable gauge. The gauge on the rifle is more of an indicator to see if you need to charge or not.

If a hand pump is used the moisture trap must be drained at regular intervals during the pumping cycle.

WARNING – Only dry air should be used! Under no circumstances should oxygen or any other gas be used to fill the airtubes! This could result in a serious injury or death!

Cocking and Loading

With the rifle pressurized and magazine loaded, continue to prepare the rifle for use by pulling rearward on the cocking lever until it clicks in the rearward position.

Then set the safety to its safe position.

Carefully insert the magazine in the magazine slot, ensuring the pellets face the correct direction.

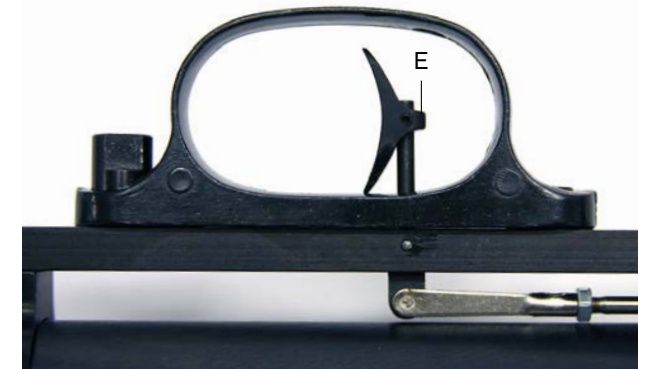
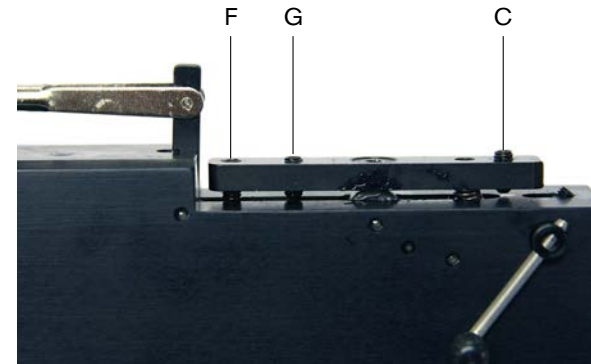
Press firmly to ensure the magazine is completely installed. Closing the cocking lever will now load a pellet into the barrel and make the rifle cocked and loaded. Switching the safety to "FIRE" will make the rifle ready to fire.

Be sure to keep the rifle pointed in a safe direction throughout this entire procedure.

Uncocking the rifle/inactivating trigger system

Pull the cocking lever to its rear position, put the safety to Fire.

While holding the cocking lever in its rear position you squeeze the trigger and then you gently move the cocking lever forward. Trigger must be pulled throughout the whole procedure.



Adjustments of triggersystem

E. Trigger blade position.

Loosen screw to adjust trigger blade position.

F. First Stage, Length of pull

Turning screw F clockwise reduce the length of first stage travel, but also affects point G. F and G works together and might need some adjustment back and forth to get it right.

G. Second Stage. Resistance of pull.

Turning screw G clockwise will increase resistance of the second stage, but also affects point F. F and G works together and might need some adjustment back and forth to get it right.

WARNING – Always make sure the safety works after adjustment has been made to the trigger system!



Adjusting the power

Power can be altered by adjusting the hammer-spring tension wheel (1).

This is a quick way to fine-tune the power and accuracy of your rifle and has 7 fixed levels were 1 is MIN and 7 is MAX with the bottom position being the reading point.

This must only be done when the rifle is un-cocked.

The fixed level marked with ADJUST is only for adjustment. In this position you can tune the hammer-spring tension with an adjustment screw.

The adjustment screw is located inside the hole (2) and is operated with a 1,5 mm hex-key.

This can only be done when the wheel is set with the adjust option at the downward position and un-cocked.

Turn the adjustment screw counter clockwise to increase power and clockwise to decrease power.

NOTICE – NEVER adjust the power when rifle is cocked. Doing so might damage the power-adjuster wheel and will void your warranty!



Externally Adjustable Regulator

The adjustable AMP regulator is located either on the bottle adapter (1). or installed within the Tube with an access hole pointing downwards (2).

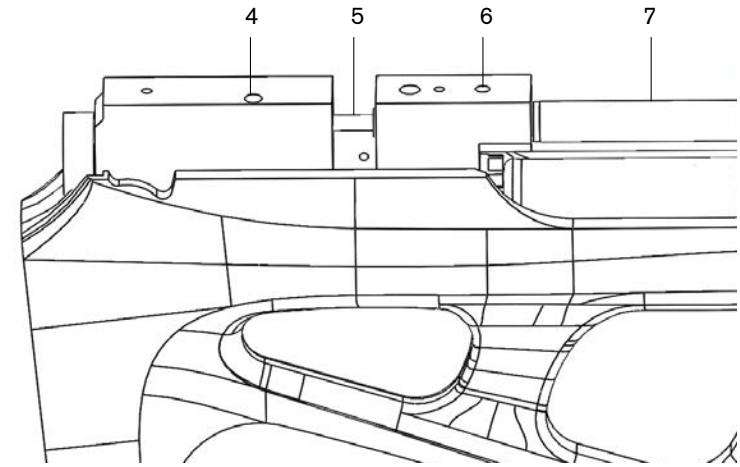
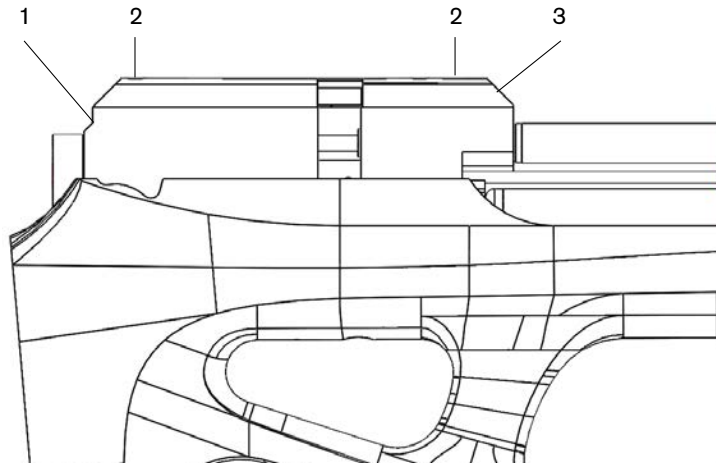
Stock need to be removed to get to the adjustment hole on tube models (2). There are two screw holding the stock in place, one is situated near the trigger guard and the other one further back on the stock.

To adjust the regulator pressure higher, turn the regulator AMP screw counter-clockwise slowly while looking at the regulator manometer located on the left hand side of the gun. To lower the regulator pressure, turn the regulator AMP screw clockwise a quarter turn at a time, dry firing the rifle until the correct pressure is achieved. Make sure your rifle is not loaded before dry firing.

NOTICE – Fire in a safe direction.

NOTICE – NEVER adjust the regulator above 160 BAR as damage to the system may occur and will void your warranty!

NOTICE – NEVER use the gun below the set regulator pressure as damage to the system may occur and will void your warranty!



Changing Caliber

When changing calibre on the system for the first time, be sure to follow these directions closely to avoid unwanted damage.

Make sure pellet probe has the same caliber as the barrel before mounting.

Make sure rifle is un-cocked!

- Set the safety to its safe position.
- Remove cheek piece (3) from the breechblock (1) by removing the two screw holding it in place (2).
- Loosen the screw (6) on top of the breechblock (1).
- Pull the barrel (7) out of the system.
- Unscrew and remove pellet probe locking screw (4).
- Pull the probe (5) forwards thru the barrel mount, it is not easy to grab the probe so a tip is that you can tilt the gun forward until the pellet probe falls out.
- Insert new pellet probe with the cavity/transfer port pointing downwards, the hex key you used for the screw can be a good helper to push the probe back in place with.

Align the pellet probe fastening hole with the hole in the breech block and put the locking screw back into position and then tighten.

- Insert new barrel and make sure the small slot in the barrel breech lines up with the guide pin inside the breech block.
- When completely seated, you should be able to see a small portion of the barrel assembly inside the magazine slot.
- Once in position, tighten the screw (6).
- Misalignment will cause poor performance and potential harm to the airgun.

NOTICE– Failure to tighten these locking screws can cause serious damage to the rifle if fired.

NOTICE– Never fire the gun without pellet probe mounted.



FXairguns MADE IN SWEDEN

www.fxairguns.com